

PARTS LIST

[KS-AX6700]

* All printed circuit boards and its assemblies are not available as service parts.

Areas suffix

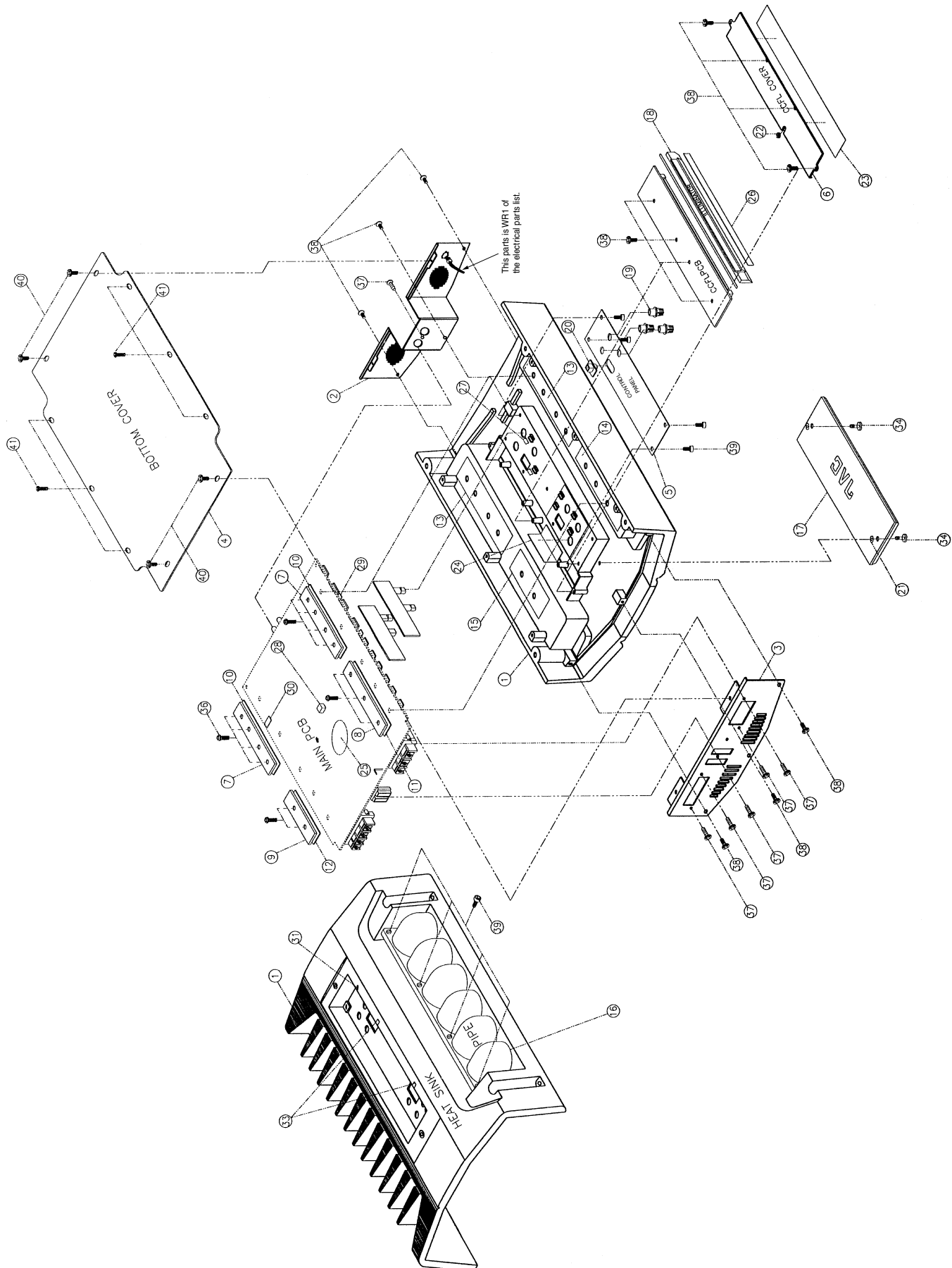
J ----- Nothem America
E ----- Continental Europe

- Contents -

Exploded view of enclosure assembly and parts list	3-2
Electrical parts list	3-4
Packing and accessories	3-10

Exploded view of enclosure assembly and parts list

Block No. M 1 M M



■ Parts list (Enclosure assembly)

Block No. M1MM

△	Item	Parts number	Parts name	Q'ty	Description	Area
	1	MAHS070047-2	HEAT SINK	1		
	2	MAFP076019-1	FRONT PANEL	1		
	3	MARP706021-1	REAR PANEL	1		
	4	MABC076014-1	BOTTOM COVER	1		
	5	MATC041489-1	CONTROL PANEL	1		
	6	MASO051491-1	CCFL COVER	1		
	7	MABR031494-0	TR BRACKET (A)	2		
	8	MABR031493-0	TR BRACKET (B)	1		
	9	MABR031495-0	TR BRACKET (C)	1		
	10	MOCU011504-2	TR BRACKET CUS	4		
	11	MOCU011503-2	TR BRACKET CUS	2		
	12	MOCU011505-2	TR BRACKET CUS	2		
	13	MASP001519-0	SILICON PAD (A)	2		
	14	MASP001509-0	SILICON PAD (B)	1		
	15	MASP001520-0	SILICON PAD (C)	1		
	16	MAPO022903-0	PIPE	1		
	17	MATC036022-1	TOP PLATE	1		
	18	MAIL001501-1	ILLUMINATOR	1		
	19	MOKB076023-1	VOLUME KNOB	3		
	20	MOKB076024-1	SWITCH KNOB	1		
	21	MOWA051506-0	POLY WASHER	2		
	22	MABU031496-0	WIRE BUSHING	1		
	23	MOCU111508-0	INSULATION SHEE	1		
	24	MOCU111535-1	INSULATION SHEE	1		
	25	MOFI011538-0	FIBER PLATE	1		
	26	MOCU011511-1	CCFL CUSHION(A)	1		
	27	MOCU011512-0	CCFL CUSHION(B)	2		
	28	MOCU001521-0	RUBBER CUSHION	1		
	29	MOCU014097-0	RUBBER CUSHION	1		
	30	MOCU014097-0	RUBBER CUSHION	2		
	31	MOCU021701-0	FIBER CUSHI	3		
	33	MOCU061498-0	EVA CUSHION	2		
	34	MNSC00140-9.3	SCREW	2		
	36	MNSC00740-14	SCREW	13		
	37	MBSC03230-08	SCREW	6		
	38	MBSC00230-06	SCREW	14		
	39	MNSC00630-06	SCREW	8		
	40	MBSC04330-05	SCREW	4		
	41	MBSC00330-08	SCREW	6		

Electrical parts list

■ Electrical parts list (MAIN PCB)

Block No. 01

△	Item	Parts number	Parts name	Remarks	Area	△	Item	Parts number	Parts name	Remarks	Area
	C 101	ELE4.7/50VSMS	CAPACITOR	ELECTROLYTIC SM			C 728	ELE10/100VSMS	CAPACITOR	ELECTROLYTIC SM	
	C 102	ELE4.7/50VSMS	CAPACITOR	ELECTROLYTIC SM			C 731	ELE100/16VSMS	CAPACITOR	ELECTROLYTIC SM	
	C 104	CER22PF50VNPO	CAPACITOR	CERAMIC DISK 50			C 740	MAL102J	CAPACITOR	STICON	
	C 105	CER100PF50VNPO	CAPACITOR	CERAMIC DISK 50			C 741	ELE47/25VSMS	CAPACITOR	ELECTROLYTIC SM	
	C 106	CER22PF50VNPO	CAPACITOR	CERAMIC DISK 50			C 750	ELE2200/25VRX	CAPACITOR	ELECTROLYTIC R	
	C 119	ELE4.7/50VSMS	CAPACITOR	ELECTROLYTIC SM			C 751	ELE2200/25VRX	CAPACITOR	ELECTROLYTIC R	
	C 120	CER100PF50VNPO	CAPACITOR	CERAMIC DISK 50			C 752	CER104PF50V	CAPACITOR	CERAMIC DISK 50	
	C 121	CER104PF50V	CAPACITOR	CERAMIC DISK 50			C 753	ELE1000/35VRX	CAPACITOR	ELECTROLYTIC R	
	C 122	CER104PF50V	CAPACITOR	CERAMIC DISK 50			C 760	MAL222J63VTL	CAPACITOR	MYLAR 5% 63V T	
	C 123	CER104PF50V	CAPACITOR	CERAMIC DISK 50			C 761	ELE2.2/50VSMS	CAPACITOR	ELECTROLYTIC SM	
	C 124	CER104PF50V	CAPACITOR	CERAMIC DISK 50			C 762	ELE4.7/50VSMS	CAPACITOR	ELECTROLYTIC SM	
	C 142	CER104PF50V	CAPACITOR	CERAMIC DISK 50			C 763	ELE47/25VSMS	CAPACITOR	ELECTROLYTIC SM	
	C 143	MAL224J63VTL	CAPACITOR	MYLAR 5% 63V T			C 765	CER104PF50V	CAPACITOR	CERAMIC DISK 50	
	C 144	CER104PF50V	CAPACITOR	CERAMIC DISK 50			C 766	CER104PF50V	CAPACITOR	CERAMIC DISK 50	
	C 145	ELE100/63VSMS	CARBON RESISTOR	ELECTROLYTIC S			C 767	ELE1000/50VSD	CAPACITOR	ELECTROLYTIC S	
	C 146	CER100PF50VNPO	CAPACITOR	CERAMIC DISK 50			C 768	ELE1000/50VSD	CAPACITOR	ELECTROLYTIC S	
	C 147	CER100PF50VNPO	CAPACITOR	CERAMIC DISK 50			C 769	ELE2200/50VSHL	CAPACITOR	ELECTROLYTIC S	
	C 148	CER5PF50VNPO	CAPACITOR	CERAMIC DISK 50			C 770	ELE2200/50VSHL	CAPACITOR	ELECTROLYTIC S	
	C 149	ELE100/16VSMS	CAPACITOR	ELECTROLYTIC SM			C 771	ELE2200/50VSHL	CAPACITOR	ELECTROLYTIC S	
	C 160	ELE4.7/50VSMS	CAPACITOR	ELECTROLYTIC SM			C 772	ELE2200/50VSHL	CAPACITOR	ELECTROLYTIC S	
	C 161	ELE4.7/50VSMS	CAPACITOR	ELECTROLYTIC SM			C 773	MAL105J63VTL	CAPACITOR	MYLAR 5% 63V T	
	C 162	CER102PF50VCH	CAPACITOR	AXIAL CERAMIC 5			C 774	MAL105J63VTL	CAPACITOR	MYLAR 5% 63V T	
	C 163	CER102PF50VCH	CAPACITOR	AXIAL CERAMIC 5			C 780	CER22PF50VNPO	CAPACITOR	CERAMIC DISK 50	
	C 171	ELE100/50VSMS	CARBON RESISTOR	ELECTROLYTIC S			C 781	ELE10/50VMS	CAPACITOR	ELECTROLYTIC SM	
	C 172	CER102PF50V	CAPACITOR	CERAMIC DISK 50			C 785	ELE100/35VSMS	CAPACITOR	ELECTROLYTIC SM	
	C 173	ELE100/16VSMS	CAPACITOR	ELECTROLYTIC SM			C 786	ELE100/35VSMS	CAPACITOR	ELECTROLYTIC SM	
	C 190	ELE330/16VSMS	CAPACITOR	ELECTROLYTIC S			C 787	CER104PF50V	CAPACITOR	CERAMIC DISK 50	
	C 191	MAL104J63VTL	CAPACITOR	MYLAR 5% 63V T			C 788	CER104PF50V	CAPACITOR	CERAMIC DISK 50	
	C 201	ELE4.7/50VSMS	CAPACITOR	ELECTROLYTIC SM			C 790	CER473PF50V	CAPACITOR	CERAMIC DISK 50	
	C 202	ELE4.7/50VSMS	CAPACITOR	ELECTROLYTIC SM			C 791	MAL105J63VTL	CAPACITOR	MYLAR 5% 63V T	
	C 204	CER22PF50VNPO	CAPACITOR	CERAMIC DISK 50			C 792	CER473PF50V	CAPACITOR	CERAMIC DISK 50	
	C 205	CER100PF50VNPO	CAPACITOR	CERAMIC DISK 50			C 850	ELE10/25VSMS	CAPACITOR	ELECTROLYTIC SM	
	C 206	CER22PF50VNPO	CAPACITOR	CERAMIC DISK 50			C 861	CER223PF50V	CAPACITOR	CERAMIC DISK 50	
	C 210	ELE4.7/50VSMS	CAPACITOR	ELECTROLYTIC SM			C 862	CER104PF50V	CAPACITOR	CERAMIC DISK 50	
	C 219	CER100PF50VNPO	CAPACITOR	CERAMIC DISK 50			C 863	MAL103J63VTL	CAPACITOR	MYLAR 5% 63V T	
	C 242	CER104PF50V	CAPACITOR	CERAMIC DISK 50			C 864	MAL103J63VTL	CAPACITOR	MYLAR 5% 63V T	
	C 243	MAL224J63VTL	CAPACITOR	MYLAR 5% 63V T			C 867	CER104PF50V	CAPACITOR	CERAMIC DISK 50	
	C 244	CER104PF50V	CAPACITOR	CERAMIC DISK 50			CON01	LWL0640-2P	WAFER		
	C 245	ELE100/63VSMS	CARBON RESISTOR	ELECTROLYTIC S			D 142	1N4148	GE DIODE	SWITCHING SIGNA	
	C 246	CER100PF50VNPO	CAPACITOR	CERAMIC DISK 50			D 143	1N4148	GE DIODE	SWITCHING SIGNA	
	C 247	CER100PF50VNPO	CAPACITOR	CERAMIC DISK 50			D 151	1N5235	DIODE	ZENER 6.8V	
	C 248	CER5PF50VNPO	CAPACITOR	CERAMIC DISK 50			D 170	1N4148	GE DIODE	SWITCHING SIGNA	
	C 249	ELE100/16VSMS	CAPACITOR	ELECTROLYTIC SM			D 242	1N4148	GE DIODE	SWITCHING SIGNA	
	C 260	ELE4.7/50VSMS	CAPACITOR	ELECTROLYTIC SM			D 243	1N4148	GE DIODE	SWITCHING SIGNA	
	C 261	ELE4.7/50VSMS	CAPACITOR	ELECTROLYTIC SM			D 251	1N5235	DIODE	ZENER 6.8V	
	C 262	CER102PF50VCH	CAPACITOR	AXIAL CERAMIC 5			D 701	1N5404	CARBON RESISTOR	RECTIFIER	
	C 263	CER102PF50VCH	CAPACITOR	AXIAL CERAMIC 5			D 702	1N4004	DIODE	RECTIFIER	
	C 291	MAL104J63VTL	CAPACITOR	MYLAR 5% 63V T			D 704	1N4148	GE DIODE	SWITCHING SIGNA	
	C 345	ELE470/16VSMS	CAPACITOR	ELECTROLYTIC S			D 710	1N4148	GE DIODE	SWITCHING SIGNA	
	C 701	ELE10/25VSMS	CAPACITOR	ELECTROLYTIC SM			D 711	1N4148	GE DIODE	SWITCHING SIGNA	
	C 705	ELE47/25VSMS	CAPACITOR	ELECTROLYTIC SM			D 722	PR1504	DIODE	FAST RECOVERY	
	C 706	CER104PF50V	CAPACITOR	CERAMIC DISK 50			D 723	PR1504	DIODE	FAST RECOVERY	
	C 715	CER104PF50V	CAPACITOR	CERAMIC DISK 50			D 731	PR1504	DIODE	FAST RECOVERY	
	C 716	MAL334J63VTL	CAPACITOR	MYLAR 5% 63V T			D 732	PR1504	DIODE	FAST RECOVERY	
	C 717	ELE47/16VSMS	CAPACITOR	ELECTROLYTIC SM			D 734	PR1504	DIODE	FAST RECOVERY	
	C 718	ELE220/16VSMS	CAPACITOR	ELECTROLYTIC S			D 735	PR1504	DIODE	FAST RECOVERY	
	C 720	CER104PF50V	CAPACITOR	CERAMIC DISK 50			D 751	ESC25M02-D	DIODE	FAST RECOVERY	
	C 721	ELE10/25VSMS	CAPACITOR	ELECTROLYTIC SM			D 752	ESC25M02-D	DIODE	FAST RECOVERY	
	C 722	ELE47/25VSMS	CAPACITOR	ELECTROLYTIC SM			D 770	1N4148	GE DIODE	SWITCHING SIGNA	
	C 724	CER104PF50V	CAPACITOR	CERAMIC DISK 50			D 771	1N4148	GE DIODE	SWITCHING SIGNA	
	C 725	ELE10/100VSMS	CAPACITOR	ELECTROLYTIC SM			D 850	1N4148	GE DIODE	SWITCHING SIGNA	
	C 726	CER104PF50V	CAPACITOR	CERAMIC DISK 50			△	F 1	FUSE25A/32V	FUSE	TEFLON TUBE
	C 727	ELE10/100VSMS	CAPACITOR	ELECTROLYTIC SM			△	F 2	FUSE25A/32V	FUSE	TEFLON TUBE

■ Electrical parts list (MAIN PCB)

Block No. 01

△	Item	Parts number	Parts name	Remarks	Area	△	Item	Parts number	Parts name	Remarks	Area
	FH 01	WF-9604	FUSE HOLDER	PCB TYPE			Q 850	KTA1023Y	CARBON RESISTOR	SMALL SIGNAL PN	
	L 102	CL-200C	INDUCTOR	AIR COIL			Q 851	KTC3198GR	CARBON RESISTOR	SMALL SIGNAL NP	
	L 202	CL-200C	INDUCTOR	AIR COIL			R 101	CAR1/5WJ22K	RESISTOR	CARBON FILM 1/5	
	L 701	CL-900A	INDUCTOR	CHOCK COIL			R 102	MET1/5WF22K	RESISTOR	METAL FILM FILM	
	L 702	CL-1112	INDUCTOR	21PHI(1.2X2)12T			R 103	MET1/5WF22K	RESISTOR	METAL FILM FILM	
	L 721	TN000004730	INDUCTOR	AXIAL INDUCTOR			R 105	MET1/5WF56K	RESISTOR	METAL FILM FILM	
	LED01	KLR124-E	CARBON RESISTOR	LED(REDF)			R 106	MET1/5WF56K	RESISTOR	METAL FILM FILM	
	P 01	TMN005-01	TERMINAL	POWER 3P			R 133	CAR1/5WJ100K	RESISTOR	CARBON FILM 1/5	
	P 02	TMN004-02	TERMINAL	SPEAKER 4P			R 141	MET1/5WF5.6K	RESISTOR	METAL FILM FILM	
	Q 142	KTA1023Y	CARBON RESISTOR	SMALL SIGNAL PN			R 142	CAR1/5WJ330	RESISTOR	CARBON FILM 1/5	
	Q 143	KTA1023Y	CARBON RESISTOR	SMALL SIGNAL PN			R 143	CAR1/5WJ330	RESISTOR	CARBON FILM 1/5	
	Q 144	KTC1027Y	TRANSISTOR	SMALL SIGNAL NP			R 144	CAR1/5WJ360	RESISTOR	CARBON FILM 1/5	
	Q 145	KTC1027Y	TRANSISTOR	SMALL SIGNAL NP			R 145	CAR1/5WJ100K	RESISTOR	CARBON FILM 1/5	
	Q 146	KTC1027Y	TRANSISTOR	SMALL SIGNAL NP			R 146	CAR1/5WJ510	RESISTOR	CARBON FILM 1/5	
	Q 148	KTA1220A-Y	TRANSISTOR	MIDDLE POWER PN			R 147	CAR1/5WJ1K	RESISTOR	CARBON FILM 1/5	
	Q 149	KTA1220A-Y	TRANSISTOR	MIDDLE POWER PN			R 148	CAR1/5WJ430	RESISTOR	CARBON FILM 1/5	
	Q 150	J108	F.E.T	J-FET			R 149	CAR1/5WJ22	RESISTOR	CARBON FILM 1/5	
	Q 152	KTC2690A-Y	TRANSISTOR	MIDDLE POWER NP			R 150	CAR1/5WJ3.3K	RESISTOR	CARBON FILM 1/5	
	Q 161	IRF640	F.E.T	N-CH POWER MOSF			R 151	MET1/5WF22K	RESISTOR	METAL FILM FILM	
	Q 162	IRF640	F.E.T	N-CH POWER MOSF			R 152	CAR1/5WJ51	RESISTOR	CARBON FILM 1/5	
	Q 163	IRF640	F.E.T	N-CH POWER MOSF			R 154	MET1/5WF1K	RESISTOR	METAL FILM FILM	
	Q 164	IRF640	F.E.T	N-CH POWER MOSF			R 160	MET1/5WF22K	RESISTOR	METAL FILM FILM	
	Q 165	IRF640	F.E.T	N-CH POWER MOSF			R 161	CAR1/5WJ47	RESISTOR	CARBON FILM 1/5	
	Q 166	IRF640	F.E.T	N-CH POWER MOSF			R 162	CAR1/5WJ330	RESISTOR	CARBON FILM 1/5	
	Q 171	KTA1023Y	CARBON RESISTOR	SMALL SIGNAL PN			R 163	CAR1/5WJ47	RESISTOR	CARBON FILM 1/5	
	Q 172	KTC1027Y	TRANSISTOR	SMALL SIGNAL NP			R 164	CAR1/5WJ330	RESISTOR	CARBON FILM 1/5	
	Q 173	KTA1023Y	CARBON RESISTOR	SMALL SIGNAL NP			R 165	CAR1/5WJ56K	RESISTOR	CARBON FILM 1/5	
	Q 174	KTA1023Y	CARBON RESISTOR	SMALL SIGNAL PN			R 166	MET1/5WF150K	RESISTOR	METAL FILM FILM	
	Q 175	KTC3198GR	CARBON RESISTOR	SMALL SIGNAL NP			R 167	WIREWOUND5WJ	RESISTOR	WIREWOUND 5WJ	
	Q 176	KTC3198GR	CARBON RESISTOR	SMALL SIGNAL NP			R 168	WIREWOUND5WJ	RESISTOR	WIREWOUND 5WJ	
	Q 242	KTA1023Y	CARBON RESISTOR	SMALL SIGNAL PN			R 169	CAR1/2WJ4.7	RESISTOR	CARBON FILM 1/2	
	Q 243	KTA1023Y	CARBON RESISTOR	SMALL SIGNAL PN			R 170	CAR1/5WJ10K	RESISTOR	CARBON FILM 1/5	
	Q 244	KTC1027Y	TRANSISTOR	SMALL SIGNAL NP			R 171	CAR1/5WJ330	RESISTOR	CARBON FILM 1/5	
	Q 245	KTC1027Y	TRANSISTOR	SMALL SIGNAL NP			R 172	CAR1/5WJ1K	RESISTOR	CARBON FILM 1/5	
	Q 246	KTC1027Y	TRANSISTOR	SMALL SIGNAL NP			R 173	CAR1/5WJ330	RESISTOR	CARBON FILM 1/5	
	Q 248	KTA1220A-Y	TRANSISTOR	MIDDLE POWER PN			R 174	CAR1/5WJ43K	RESISTOR	CARBON FILM 1/5	
	Q 249	KTA1220A-Y	TRANSISTOR	MIDDLE POWER PN			R 175	CAR1/5WJ82K	RESISTOR	CARBON FILM 1/5	
	Q 250	J108	F.E.T	J-FET			R 176	CAR1/5WJ100K	RESISTOR	CARBON FILM 1/5	
	Q 252	KTC2690A-Y	TRANSISTOR	MIDDLE POWER NP			R 177	CAR1/5WJ390	RESISTOR	CARBON FILM 1/5	
	Q 261	IRF640	F.E.T	N-CH POWER MOSF			R 178	CAR1/5WJ1K	RESISTOR	CARBON FILM 1/5	
	Q 262	IRF640	F.E.T	N-CH POWER MOSF			R 179	CAR1/5WJ15K	RESISTOR	CARBON FILM 1/5	
	Q 263	IRF640	F.E.T	N-CH POWER MOSF			R 180	MET1/5WF22K	RESISTOR	METAL FILM FILM	
	Q 264	IRF640	F.E.T	N-CH POWER MOSF			R 181	CAR1/5WJ47	RESISTOR	CARBON FILM 1/5	
	Q 265	IRF640	F.E.T	N-CH POWER MOSF			R 182	MET3WJ560	RESISTOR	METAL FILM 3WJ	
	Q 266	IRF640	F.E.T	N-CH POWER MOSF			R 183	CAR1/5WJ100K	RESISTOR	CARBON FILM 1/5	
	Q 271	KTA1023Y	CARBON RESISTOR	SMALL SIGNAL PN			R 185	CAR1/5WJ47	RESISTOR	CARBON FILM 1/5	
	Q 701	KTA1023Y	CARBON RESISTOR	SMALL SIGNAL PN			R 186	CAR1/5WJ47	RESISTOR	CARBON FILM 1/5	
	Q 702	KTC3198GR	CARBON RESISTOR	SMALL SIGNAL NP			R 187	CAR1/5WJ47	RESISTOR	CARBON FILM 1/5	
	Q 705	KTA1266GR	CARBON RESISTOR	SMALL SIGNAL PN			R 188	MET1/5WF150K	RESISTOR	METAL FILM FILM	
	Q 706	KTA1266GR	CARBON RESISTOR	SMALL SIGNAL PN			R 191	MET2WJ22	CARBON RESISTOR	METAL FILM 2WJ	
	Q 707	KTC3198BL	CARBON RESISTOR	SMALL SIGNAL NP			R 195	CAR1/5WJ100	RESISTOR	CARBON FILM 1/5	
	Q 708	KTA1268GR	CARBON RESISTOR	SMALL SIGNAL PN			R 201	CAR1/5WJ22K	RESISTOR	CARBON FILM 1/5	
	Q 710	KTC3198GR	CARBON RESISTOR	SMALL SIGNAL NP			R 202	MET1/5WF22K	RESISTOR	METAL FILM FILM	
	Q 730	KTA1266GR	CARBON RESISTOR	SMALL SIGNAL PN			R 203	MET1/5WF22K	RESISTOR	METAL FILM FILM	
	Q 731	KTA1266GR	CARBON RESISTOR	SMALL SIGNAL PN			R 205	MET1/5WF56K	RESISTOR	METAL FILM FILM	
	Q 745	IRFZ44	F.E.T	N-CH POWER MOSF			R 206	MET1/5WF56K	RESISTOR	METAL FILM FILM	
	Q 746	IRFZ44	F.E.T	N-CH POWER MOSF			R 233	CAR1/5WJ100K	RESISTOR	CARBON FILM 1/5	
	Q 747	IRFZ44	F.E.T	N-CH POWER MOSF			R 241	MET1/5WF5.6K	RESISTOR	METAL FILM FILM	
	Q 755	IRFZ44	F.E.T	N-CH POWER MOSF			R 242	CAR1/5WJ330	RESISTOR	CARBON FILM 1/5	
	Q 756	IRFZ44	F.E.T	N-CH POWER MOSF			R 243	CAR1/5WJ330	RESISTOR	CARBON FILM 1/5	
	Q 757	IRFZ44	F.E.T	N-CH POWER MOSF			R 244	CAR1/5WJ360	RESISTOR	CARBON FILM 1/5	
	Q 780	J108	F.E.T	J-FET			R 245	CAR1/5WJ100K	RESISTOR	CARBON FILM 1/5	
	Q 790	TIP117	TRANSISTOR	PNP EPITAXIAL D			R 246	CAR1/5WJ510	RESISTOR	CARBON FILM 1/5	

■ Electrical parts list (MAIN PCB)

Block No. 01

△	Item	Parts number	Parts name	Remarks	Area
	R 247	CAR1/5WJ1K	RESISTOR	CARBON FILM 1/5	
	R 248	CAR1/5WJ430	RESISTOR	CARBON FILM 1/5	
	R 249	CAR1/5WJ22	RESISTOR	CARBON FILM 1/5	
	R 250	CAR1/5WJ3.3K	RESISTOR	CARBON FILM 1/5	
	R 251	MET1/5WF22K	RESISTOR	METAL FILM FILM	
	R 252	CAR1/5WJ51	RESISTOR	CARBON FILM 1/5	
	R 254	MET1/5WF1K	RESISTOR	METAL FILM FILM	
	R 260	MET1/5WF22K	RESISTOR	METAL FILM FILM	
	R 261	CAR1/5WJ47	RESISTOR	CARBON FILM 1/5	
	R 262	CAR1/5WJ330	RESISTOR	CARBON FILM 1/5	
	R 263	CAR1/5WJ47	RESISTOR	CARBON FILM 1/5	
	R 264	CAR1/5WJ330	RESISTOR	CARBON FILM 1/5	
	R 265	CAR1/5WJ56K	RESISTOR	CARBON FILM 1/5	
	R 266	MET1/5WF150K	RESISTOR	METAL FILM FILM	
	R 267	WIREWOUND5WJ	RESISTOR	WIREWOUND 5WJ	
	R 268	WIREWOUND5WJ	RESISTOR	WIREWOUND 5WJ	
	R 269	CAR1/2WJ4.7	RESISTOR	CARBON FILM 1/2	
	R 270	CAR1/5WJ10K	RESISTOR	CARBON FILM 1/5	
	R 271	CAR1/5WJ330	RESISTOR	CARBON FILM 1/5	
	R 272	CAR1/5WJ1K	RESISTOR	CARBON FILM 1/5	
	R 280	MET1/5WF22K	RESISTOR	METAL FILM FILM	
	R 281	CAR1/5WJ47	RESISTOR	CARBON FILM 1/5	
	R 285	CAR1/5WJ47	RESISTOR	CARBON FILM 1/5	
	R 286	CAR1/5WJ47	RESISTOR	CARBON FILM 1/5	
	R 287	CAR1/5WJ47	RESISTOR	CARBON FILM 1/5	
	R 288	MET1/5WF150K	RESISTOR	METAL FILM FILM	
	R 291	MET2WJ22	CARBON RESISTOR	METAL FILM 2WJ	
	R 295	CAR1/5WJ100	RESISTOR	CARBON FILM 1/5	
	R 382	MET3WJ560	RESISTOR	METAL FILM 3WJ	
	R 395	CAR1/5WJ4.7K	RESISTOR	CARBON FILM 1/5	
	R 701	CAR1/2WJ68	RESISTOR	CARBON FILM 1/2	
	R 702	CAR1/5WJ4.7K	RESISTOR	CARBON FILM 1/5	
	R 703	CAR1/5WJ4.7K	RESISTOR	CARBON FILM 1/5	
	R 704	CAR1/5WJ4.7K	RESISTOR	CARBON FILM 1/5	
	R 705	CAR1/5WJ10K	RESISTOR	CARBON FILM 1/5	
	R 715	MET1/5WF140K	RESISTOR	METAL FILM FILM	
	R 716	MET1/5WF51K	RESISTOR	METAL FILM FILM	
	R 717	CAR1/5WJ4.7K	RESISTOR	CARBON FILM 1/5	
	R 718	CAR1/5WJ4.7K	RESISTOR	CARBON FILM 1/5	
	R 719	CAR1/5WJ10K	RESISTOR	CARBON FILM 1/5	
	R 720	CAR1/5WJ10K	RESISTOR	CARBON FILM 1/5	
	R 722	MET1/WJ22	RESISTOR	METAL FILM 1WJ	
	R 725	CAR1/5WJ10	RESISTOR	CARBON FILM 1/5	
	R 726	CAR1/5WJ910	RESISTOR	CARBON FILM 1/5	
	R 730	CAR1/5WJ1K	RESISTOR	CARBON FILM 1/5	
	R 731	CAR1/5WJ22K	RESISTOR	CARBON FILM 1/5	
	R 732	CAR1/5WJ33K	RESISTOR	CARBON FILM 1/5	
	R 733	CAR1/5WJ15K	RESISTOR	CARBON FILM 1/5	
	R 734	CAR1/5WJ15K	RESISTOR	CARBON FILM 1/5	
	R 740	CAR1/5WJ47K	RESISTOR	CARBON FILM 1/5	
	R 741	MWT1/5WF24K	RESISTOR	METAL FILM FILM	
	R 742	CAR1/2WJ220	RESISTOR	CARBON FILM 1/2	
	R 743	CAR1/2WJ220	RESISTOR	CARBON FILM 1/2	
	R 744	CAR1/5WJ1K	RESISTOR	CARBON FILM 1/5	
	R 745	CAR1/5WJ100	RESISTOR	CARBON FILM 1/5	
	R 746	CAR1/5WJ100	RESISTOR	CARBON FILM 1/5	
	R 747	CAR1/5WJ100	RESISTOR	CARBON FILM 1/5	
	R 750	CAR1/5WJ27K	RESISTOR	CARBON FILM 1/5	
	R 751	CAR1/5WJ12K	RESISTOR	CARBON FILM 1/5	
	R 752	CAR1/5WJ1.5K	RESISTOR	CARBON FILM 1/5	
	R 754	CAR1/5WJ1K	RESISTOR	CARBON FILM 1/5	
	R 755	CAR1/5WJ100	RESISTOR	CARBON FILM 1/5	
	R 756	CAR1/5WJ100	RESISTOR	CARBON FILM 1/5	

△	Item	Parts number	Parts name	Remarks	Area
	R 757	CAR1/5WJ100	RESISTOR	CARBON FILM 1/5	
	R 760	MET2WJ100	RESISTOR	METAL FILM 2WJ	
	R 777	CAR1/2WJ10K	RESISTOR	CARBON FILM 1/2	
	R 778	CAR1/2WJ10K	RESISTOR	CARBON FILM 1/2	
	R 780	CAR1/5WJ220K	RESISTOR	CARBON FILM 1/5	
	R 781	CAR1/5WJ10K	RESISTOR	CARBON FILM 1/5	
	R 782	CAR1/5WJ4.7M	RESISTOR	CARBON FILM 1/5	
	R 790	CAR1/5WJ10K	RESISTOR	CARBON FILM 1/5	
	R 791	CAR1/2WJ2.2	RESISTOR	CARBON FILM 1/2	
	R 792	CAR1/5WJ2.2K	RESISTOR	CARBON FILM 1/5	
	R 850	CAR1/5WJ4.7K	RESISTOR	CARBON FILM 1/5	
	R 851	CAR1/5WJ4.7K	RESISTOR	CARBON FILM 1/5	
	R 852	CAR1/5WJ22K	RESISTOR	CARBON FILM 1/5	
	R 853	CAR1/5WJ4.7K	RESISTOR	CARBON FILM 1/5	
	R 854	CAR1/5WJ75K	RESISTOR	CARBON FILM 1/5	
	RCA01	SY-SW0406-82	RCA JACK	GOLD PLATED	
	T 01	TF149051501	INDUCTOR	TROID CORE ISU	
	TH 01	FTD5-350	CARBON RESISTOR	NTC RESISTOR	
	U 101	NJM2068L-D	I.C	DUAL OP AMP	
	U 701	TL494CN	I.C	P.W.M	
	U 703	KIA7815PI	I.C	REGULATOR I.C +	
	U 704	KIA7915PI	I.C	REGULATOR I.C -	
	VR701	SEMEX-VR2	SEMI VOLUME	6.5PHI	
	WR 1	CHDW1140-N	CONNECTOR ASSY	CRIMP TERMINAL	

■ Electrical parts list (SUB1/SUB2/CCFL PCB)

Block No. 02

△	Item	Parts number	Parts name	Remarks	Area	△	Item	Parts number	Parts name	Remarks	Area
	C 107	CER470PF50V	CAPACITOR	CERAMIC DISK 50			R 216	CAR1/5WJ15K	RESISTOR	CARBON FILM 1/5	
	C 108	CER33PF50VNPO	CAPACITOR	CERAMIC DISK 50			R 217	CAR1/5WJ10K	RESISTOR	CARBON FILM 1/5	
	C 109	CER47PF50VNPO	CAPACITOR	CERAMIC DISK 50			R 218	CAR1/5WJ15K	RESISTOR	CARBON FILM 1/5	
	C 110	MAL473J63VTL	CAPACITOR	MYLAR 5% 63V T			R 230	CAR1/5WJ22K	RESISTOR	CARBON FILM 1/5	
	C 111	MAL473J63VTL	CAPACITOR	MYLAR 5% 63V T			R 231	CAR1/5WJ22K	RESISTOR	CARBON FILM 1/5	
	C 112	ELE2.2/50VSE	CAPACITOR	ELECTROLYTIC SE			R 232	CAR1/5WJ22K	RESISTOR	CARBON FILM 1/5	
	C 113	ELE2.2/50VSE	CAPACITOR	ELECTROLYTIC SE			R 234	CAR1/5WJ1K	RESISTOR	CARBON FILM 1/5	
	C 114	ELE2.2/50VSE	CAPACITOR	ELECTROLYTIC SE			R 235	CAR1/5WJ1K	RESISTOR	CARBON FILM 1/5	
	C 115	MAL224J63VTL	CAPACITOR	MYLAR 5% 63V T			R 236	CAR1/5WJ1K	RESISTOR	CARBON FILM 1/5	
	C 116	MAL183J63VTL	CAPACITOR	MYLAR 5% 63V T			R 237	CAR1/5WJ20K	RESISTOR	CARBON FILM 1/5	
	C 117	CER47PF50VNPO	CAPACITOR	CERAMIC DISK 50			R 238	CAR1/5WJ330K	RESISTOR	CARBON FILM 1/5	
	C 125	ELE4.7UF/50VSE	CAPACITOR	ELECTROLYTIC SE			R 239	CAR1/5WJ5.6K	RESISTOR	CARBON FILM 1/5	
	C 207	CER470PF50V	CAPACITOR	CERAMIC DISK 50			R 240	CAR1/5WJ680K	RESISTOR	CARBON FILM 1/5	
	C 208	CER24PF50VNPO	CAPACITOR	CERAMIC DISK 50			R 801	CAR1/2WJ1.5K	RESISTOR	CARBON FILM 1/2	
	C 209	CER47PF50VNPO	CAPACITOR	CERAMIC DISK 50			R 802	CAR1/2WJ4.7M	RESISTOR	CARBON FILM 1/2	
	C 210	MAL473J63VTL	CAPACITOR	MYLAR 5% 63V T			R 803	CAR1/2WJ4.7M	RESISTOR	CARBON FILM 1/2	
	C 211	MAL473J63VTL	CAPACITOR	MYLAR 5% 63V T			R 804	CAR1/5WK200	RESISTOR	CARBON FILM 1/5	
	C 212	ELE2.2/50VSE	CAPACITOR	ELECTROLYTIC SE			SW101	JSS2319	SWITCH	SLIDE SWITCH	
	C 213	ELE2.2/50VSE	CAPACITOR	ELECTROLYTIC SE			T 02	CL-113	INDUCTOR	DRUM TYPE CHOKE	
	C 214	ELE2.2/50VSE	CAPACITOR	ELECTROLYTIC SE			T 02	CHT-100	TRANS	CCFL INVERTER T	
	C 215	MAL224J63VTL	CAPACITOR	MYLAR 5% 63V T			U 102	NJM2068L-D	I.C	DUAL OP AMP	
	C 216	MAL183J63VTL	CAPACITOR	MYLAR 5% 63V T			U 103	NJM2068L-D	I.C	DUAL OP AMP	
	C 217	CER47PF50VNPO	CAPACITOR	CERAMIC DISK 50			U 104	NJM2068L-D	I.C	DUAL OP AMP	
	C 225	ELE4.7UF/50VSE	CAPACITOR	ELECTROLYTIC SE			U 105	NJM2068L-D	I.C	DUAL OP AMP	
	C 801	MAL473K/100V	CAPACITOR	CERAMIC DISK 50			U 106	NJM2068L-D	I.C	DUAL OP AMP	
	C 802	CER18P3KV	CAPACITOR	HIGH VOLTAGE CE			U 206	NJM2068L-D	I.C	DUAL OP AMP	
	C 804	CER104PF50V	CAPACITOR	CERAMIC DISK 50			VR101	V0142203211	VOLUME	V9M(7X5)G3(PH3R	
	CFL01	190M/M	CCFL				VR102	V0144503211	VOLUME	V9M(7X5)G(4R)(P	
	CON02	TM2007-T14G-09	HEADER PIN	RIGHT ANGLE GOL			VR103	V0142203211	VOLUME	V9M(7X5)G3(PH3R	
	CON03	TM2007-T14G-09	HEADER PIN	RIGHT ANGLE GOL			WR801	CHL0640-2P	WIRE ASS'Y	GND.+	
	D 801	1N5241	DIODE	ZENER 11V 0.5W							
	Q 801	KTC1027Y	TRANSISTOR	SMALL SIGNAL NP							
	Q 802	KTC1027Y	TRANSISTOR	MALL SIGNAL NP							
	Q 803	KTC2690A-Y	TRANSISTOR	MIDDLE POWER NP							
	R 108	CAR1/5WJ1K	RESISTOR	CARBON FILM 1/5							
	R 109	CAR1/5WJ1K	RESISTOR	CARBON FILM 1/5							
	R 110	CAR1/5WJ15K	RESISTOR	CARBON FILM 1/5							
	R 111	MET1/5WF11K	RESISTOR	METAL FILM 1/5W							
	R 112	MET1/5WF30K	RESISTOR	METAL FILM 1/5W							
	R 113	CAR1/5WJ10K	RESISTOR	CARBON FILM 1/5							
	R 114	CAR1/5WJ10K	RESISTOR	CARBON FILM 1/5							
	R 115	CAR1/5WJ10K	RESISTOR	CARBON FILM 1/5							
	R 116	CAR1/5WJ15K	RESISTOR	CARBON FILM 1/5							
	R 117	CAR1/5WJ10K	RESISTOR	CARBON FILM 1/5							
	R 118	CAR1/5WJ15K	RESISTOR	CARBON FILM 1/5							
	R 130	CAR1/5WJ22K	RESISTOR	CARBON FILM 1/5							
	R 131	CAR1/5WJ22K	RESISTOR	CARBON FILM 1/5							
	R 132	CAR1/5WJ22K	RESISTOR	CARBON FILM 1/5							
	R 134	CAR1/5WJ1K	RESISTOR	CARBON FILM 1/5							
	R 135	CAR1/5WJ1K	RESISTOR	CARBON FILM 1/5							
	R 136	CAR1/5WJ1K	RESISTOR	CARBON FILM 1/5							
	R 137	CAR1/5WJ20K	RESISTOR	CARBON FILM 1/5							
	R 138	CAR1/5WJ330K	RESISTOR	CARBON FILM 1/5							
	R 139	CAR1/5WJ5.6K	RESISTOR	CARBON FILM 1/5							
	R 140	CAR1/5WJ680K	RESISTOR	CARBON FILM 1/5							
	R 208	CAR1/5WJ1K	RESISTOR	CARBON FILM 1/5							
	R 209	CAR1/5WJ1K	RESISTOR	CARBON FILM 1/5							
	R 210	MET1/5WF15K	RESISTOR	METAL FILM 1/5W							
	R 211	CAR1/5WJ12K	RESISTOR	CARBON FILM 1/5							
	R 212	MET1/5WF56K	RESISTOR	METAL FILM 1/5W							
	R 213	CAR1/5WJ10K	RESISTOR	CARBON FILM 1/5							
	R 214	CAR1/5WJ10K	RESISTOR	CARBON FILM 1/5							
	R 215	CAR1/5WJ10K	RESISTOR	CARBON FILM 1/5							

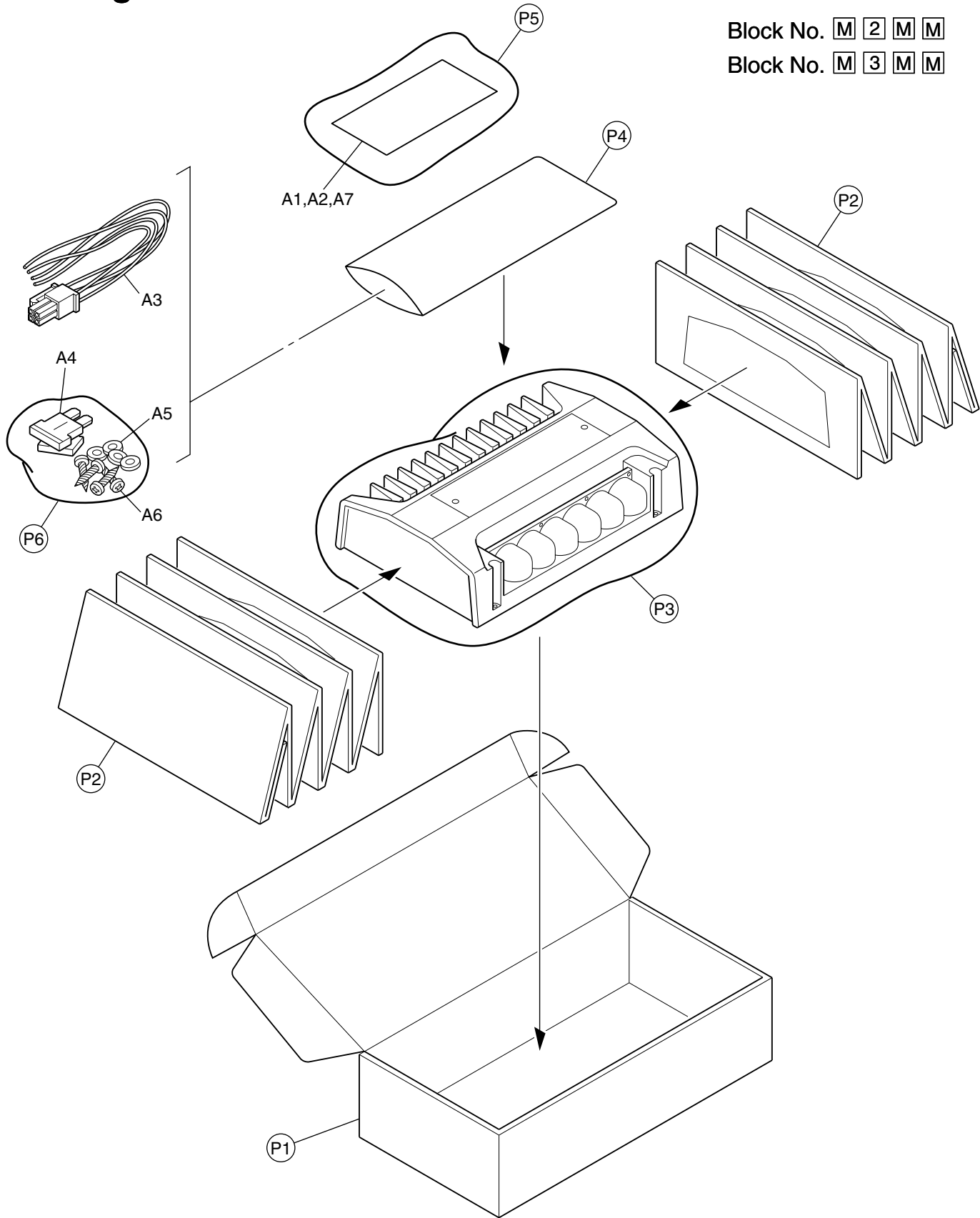
Packing and accessories

Block No.

M	2	M	M
---	---	---	---

Block No.

M	3	M	M
---	---	---	---



■ Packing parts list

Block No. M2MM

△	Item	Parts number	Parts name	Q'ty	Description	Area
	P 1	MAGB056184-0	GIFT BOX	1		
	P 2	MOIN011525-2	INNER PAD	2		
	P 3	MAPB011523-4	POLY BAG (A)	1		
	P 4	MAPB011524-1	POLY BAG (D)	1		
	P 5	MAPB011715-0	POLY BAG (B)	1		
	P 6	MAPB014101-0	POLY BAG (C)	1		

■ Accessories parts list

Block No. M3MM

△	Item	Parts number	Parts name	Q'ty	Description	Area
	A 1	LVT0504-001A	INSTRUCTIONS	1		
	A 2	BT-51018-2	WARRANTY CARD	1		J
		BT-51020-2	J=REGIST CARD	1		J
		BT-52004-1	WARRANTY CARD	1		J
		BT-54013-1	WARRANTY CARD	1		E
	A 3	CHD114-N	CONNECTOR ASS'Y	1	ACCES	
△	A 4	FUSE25A/32V	AUTO FUSE	2	25A	
	A 5	MOCU014167-0	RUBBER RING	4		
	A 6	MBSC02240-20	SCREW	4		
	A 7	BT-20071B	JVC CENTER LIST	1		J
	KIT 1	KSAX6300-SCREW	SCREW PARTS KIT	1	A5, A6, P6	